

product application:

- mounting of bearings and rings
- lifting of machinery parts

product advantages:

- can be mounted and dismantled without need for removing other shaft-related parts or even complete assemblies
- can be split into segments for easier transportation (esp. to hardly accessible mounting places)
- self-locking on shaft thread
- rugged design
- easy to maintain and to repair

HMM technical data and designs (further models and designs upon request)

thread	outer diameter	width	max. axial force	max. operating pressure	maximum stroke	number of segments	model
Tr 600x6	810 mm	102 mm	2,000 kN	40 MPa	8 mm	2	HMM 30/600
Tr 630x6	840 mm	102 mm	2,000 kN	40 MPa	8 mm	2	HMM 30/630

Threading

nut thread: metric trapezoid thread according to ISO 2903:1993, quality 7H

shaft thread: metric trapezoid thread according to ISO 2903:1993, quality 7e is recommended

other types of threading upon request

Material

nut body: steel

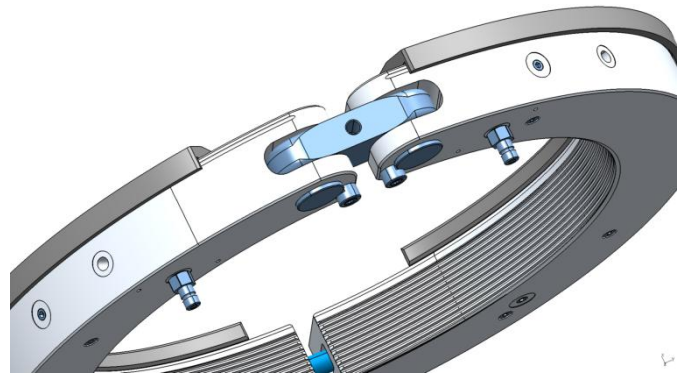
tensioning bolt: steel - quality 10.9

cross bolt: steel

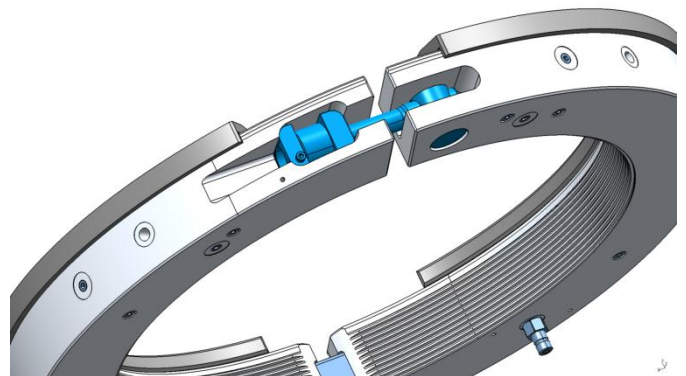
other materials and special surface treatment upon request



view of reverse side with hydraulic connectors;
connectors can also be attached radially



fully detachable hinge joint



swing-out clamping mechanism



Stahl- und
Maschinenbau
GmbH